

Digital Output; 24 VDC



Figure: 750-502

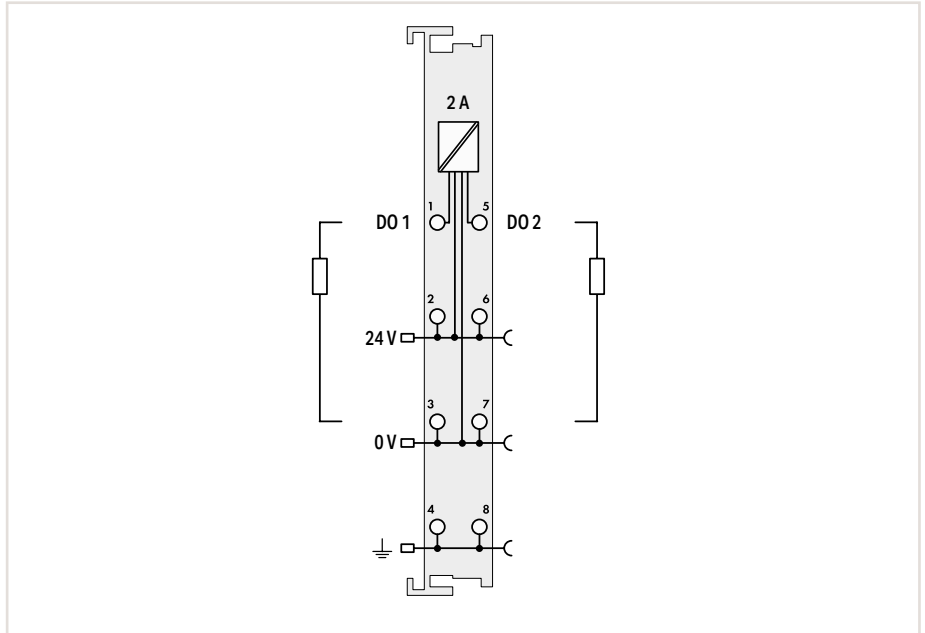


Figure: 753-502

Item Description		2-Channel Digital Output; 24 VDC; 2.0 A			
Version		Standard	Interference-free	Pluggable (delivery without connector)	Pluggable (delivery without connector); Interference-free
Item No.		750-502	750-502/000-800	753-502	753-502/000-800
Order Text		2DO; 24 VDC; 2A	2DO; 24 VDC; 2A; IF	2DO; 24 VDC; 2A	2DO; 24 VDC; 2A; IF
Technical Data					
Pluggable connector					•
Interference-free for use in safety functions			•		•
Number of digital outputs		2			
Signal type		24 VDC			
Output characteristic		High-side switching			
Output current per channel		2 A; short-circuit-protected			
Load type		Resistive; inductive; lamp load			
Actuator connection		2-wire; 3-wire; 4-wire			
Switching frequency (max.)		2.5 kHz			
Supply voltage (field)		24 VDC (-25 ... +30 %); via power jumper contacts (power supply via blade contact; transmission via spring contact)			
Current consumption – system supply (5 V)		3.5 mA			
Data width (internal)		2 bits			
Isolation		500 V (system/field)			
Surrounding air temperature (operation)		0 ... +55 °C			
Dimensions W x H x D		12 x 69.8 x 100 mm			
Approvals		CE, Marine, OrdLoc/HazLoc, ATEX/IECEX			
Accessories		Item No.			
Pluggable connector		753-110			
Coding keys		753-150			